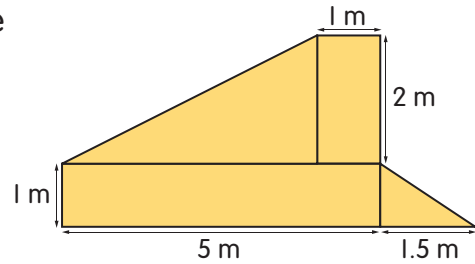
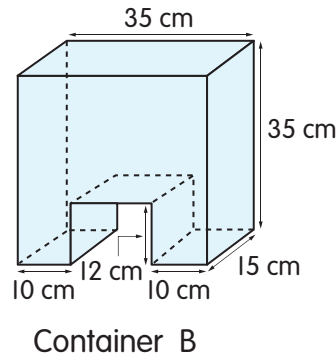
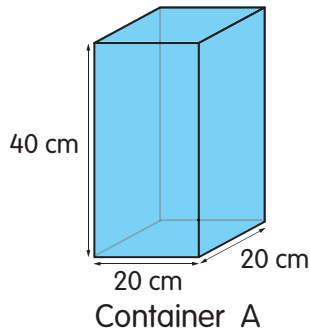


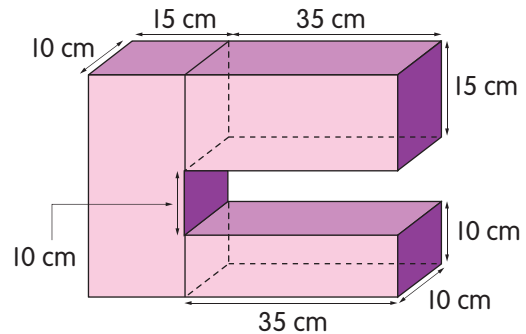
- 15.** Ikhwan has a one litre tin of paint. A litre of paint is needed for an area of  $10 \text{ m}^2$ . Will there be enough paint for the shape shown? How much more paint does he need?



- 16.** Container A is full with water. The water in container A is poured into container B. Is there any water left in container A, and how much?



- 17.** Danny uses a piece of paper measuring  $100 \text{ cm}$  by  $50 \text{ cm}$  to cover the surface of the shape shown. Does he have enough paper? How much more paper does he need?



- 18.** The pie chart shows the number of story books owned by 40 children. Construct a data table and answer the following questions:

- What is the frequency for 20 books?
- What is the mode?
- What is the range?
- What is the mean?

